



SERVING THE FOOD INDUSTRY SINCE 1951

Worktop Refrigerator With Backsplash

Item: 50095 | 50099
50097 | 50100



FEATURES

- Stainless steel interior and exterior
- Refrigeration system keeps food at safe temperatures between 0.5 - 5°C / 33 - 41°F
- Self-closing doors with 90 degree stay open
- Adjustable heavy-duty PVC coated shelves
- Digital control system makes it easy to adjust temperature set point and defrost frequency
- Hydro-carbon R290 refrigerant, which is environmentally friendly and more efficient

Telephone: 1-800-465-0234

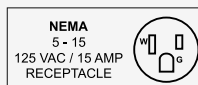
Fax: (905) 607-0234

Email: sales@omcan.com

Website: www.omcan.com



Authorized Dealer



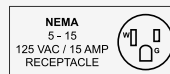
Worktop Refrigerator With Backsplash



SPECIFICATIONS



Item Number	50095	50097	50099	50100
Model	RE-CN-0006-BS-HC	RE-CN-0011-BS-HC	RE-CN-0015-BS-HC	RE-CN-0016-BS-HC
Description	1 door / 1 shelf	2 doors / 2 shelves		3 doors / 3 shelves
Net Volume	154 L / 5 cu.ft	320 L / 11 cu.ft.	425 L / 15 cu.ft	481 L / 17 cu.ft.
Power	210W	270W	345W	290W
Current	1.8A	2.4A	4.5A	2.7A
Refrigerant	R290			
Temperature	0.5 to 5°C / 33 to 41°F			
Electrical	115V / 60Hz / 1Ph			
Isolation Material	Cyclopentane			
Cooling System	Ventilated			
Controller	Mechanical / Digital Display			
Defrosting	Automatic			
Self-door Closing	Yes			
Casters	Yes			
Shelf Loading & Materials	88 lb. / 40 kg - Plastic Coated			
Interior Dimensions (WDH)	22.4" x 19.84" x 23.5" 569 x 504 x 597 mm	42.6" x 19.8" x 23.5" 1083 x 504 x 597 mm	55.6" x 19.8" x 23.5" 1413 x 504 x 597 mm	66.9" x 19.8" x 23.5" 1698 x 504 x 597 mm
Net Dimensions (WDH)	27" x 29.5" x 38.8" 685 x 750 x 985 mm	47.2" x 29.5" x 38.8" 1200 x 750 x 985 mm	60.2" x 29.5" x 38.8" 1529 x 750 x 985 mm	72" x 29.5" x 38.8" 1829 x 750 x 985 mm
Gross Dimensions (WDH)	29.7" x 32.3" x 38.2" 755 x 820 x 970 mm	50" x 32.3" x 38.2" 1270 x 820 x 970 mm	63" x 32.3" x 38.2" 1600 x 820 x 970 mm	74.2" x 32.3" x 38.2" 1885 x 820 x 970 mm
Net Weight	158.7 lb. / 72 kg	213.8 lb. / 97 kg	253.5 lb. / 115 kg	297.6 lb. / 135 kg
Gross Weight	202.8 lb. / 92 kg	275.6 lb. / 125 kg	324.1 lb. / 147 kg	372.6 lb. / 169 kg



Worktop Refrigerator With Backsplash

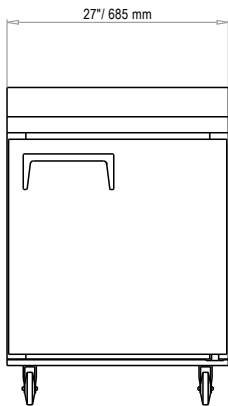


TECHNICAL DRAWING

*Measurements in diagrams are in inch/mm



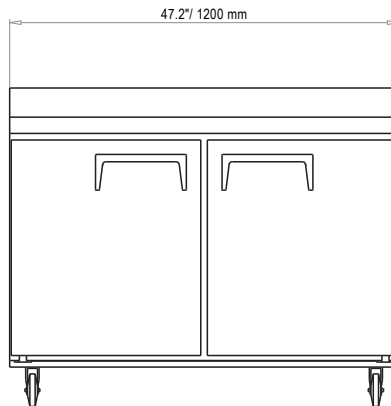
#50095



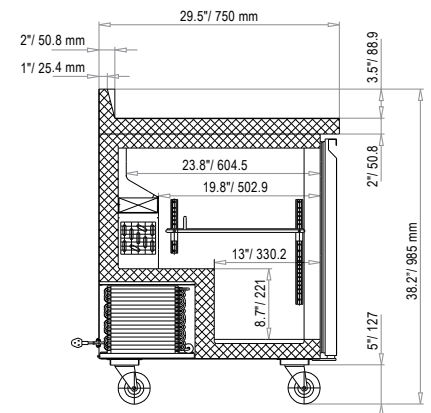
FRONT VIEW



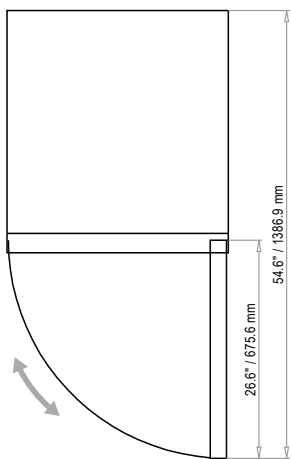
#50097



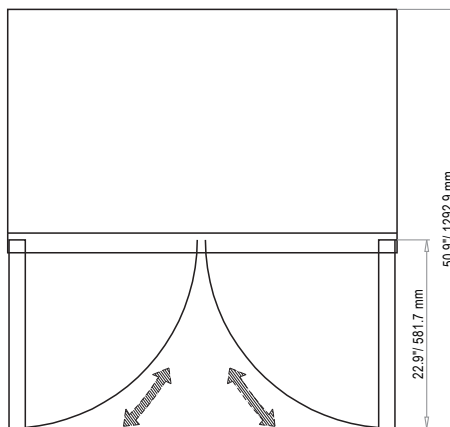
FRONT VIEW



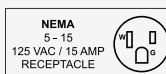
SIDE VIEW



TOP VIEW WITH OPEN DOORS



TOP VIEW WITH OPEN DOORS



Worktop Refrigerator With Backsplash



TECHNICAL DRAWING

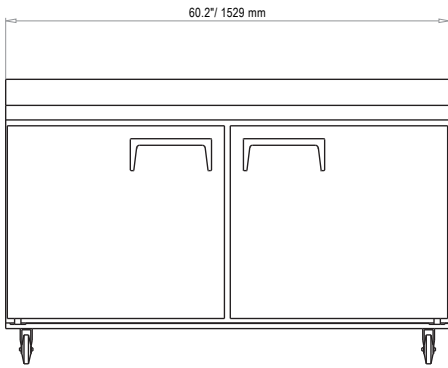
*Measurements in diagrams are in inch/mm



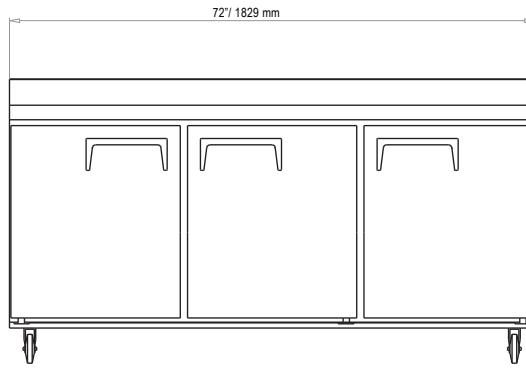
#50099



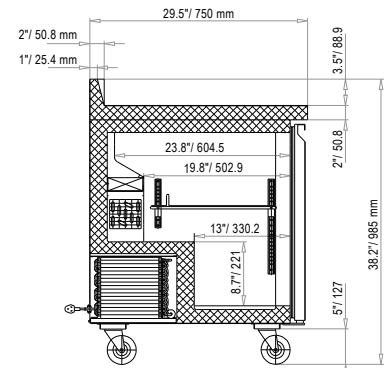
#50100



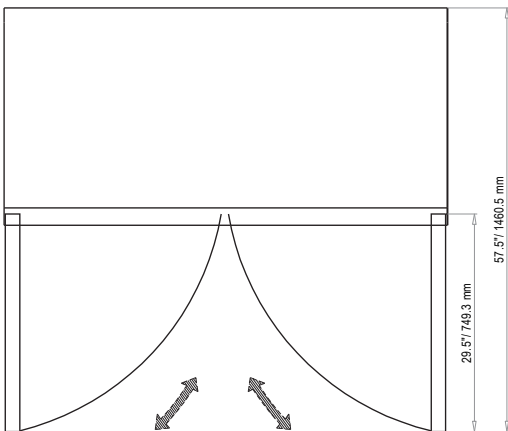
FRONT VIEW



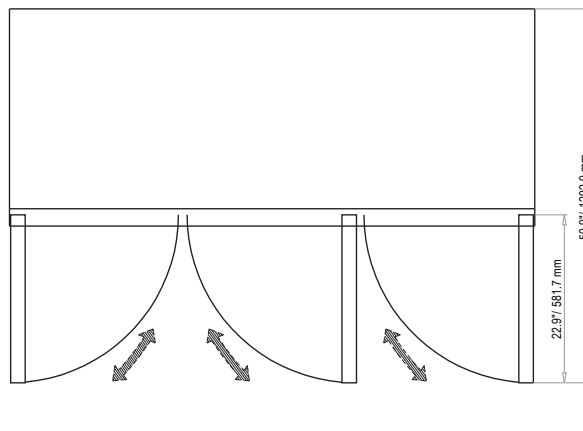
FRONT VIEW



SIDE VIEW



TOP VIEW WITH OPEN DOORS



TOP VIEW WITH OPEN DOORS

